

**JUMO GmbH & Co. KG**

Delivery address: Mackenrodtstraße 14,  
36039 Fulda, Germany  
Postal address: 36035 Fulda, Germany  
Phone: +49 661 6003-0  
Fax: +49 661 6003-607  
e-mail: mail@jumo.net  
Internet: www.jumo.net

**JUMO Instrument Co. Ltd.**

JUMO House  
Temple Bank, Riverway  
Harlow, Essex CM 20 2TT, UK  
Phone: +44 1279 635533  
Fax: +44 1279 635262  
e-mail: sales@jumo.co.uk  
Internet: www.jumo.co.uk

**JUMO Process Control, Inc.**

8 Technology Boulevard  
Canastota, NY 13032, USA  
Phone: 315-697-JUMO  
1-800-554-JUMO  
Fax: 315-697-5867  
e-mail: info@jumo.us  
Internet: www.jumo.us

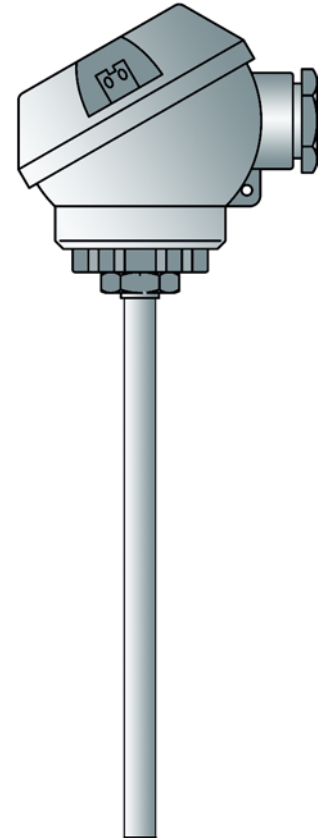


## Push-in RTD temperature probe with terminal head form J

- for temperatures from -50 ... +400°C
- As single or double RTD temperature probes
- Available with transmitter
- Protection class IP65

Push-in RTD temperature probes are preferentially used for measuring temperatures in liquids and gases. A decisive selection criterion is the reliable sealing feature of this installation type with vacuum and with overpressure. The application areas are, among others, in the air conditioning technology and refrigeration engineering as well as the HVAC, kiln and apparatus engineering sector.

The measuring insert is normally fitted with a Pt 100 temperature sensor according to DIN EN 60 751, Class B in 2-wire circuit; versions with Pt 500 or Pt 1000 temperature sensors can also be supplied, as well as 3- and 4-wire circuit connections. A transmitter can be optionally integrated into the connection head.



### Technical Data

**Terminal head**

Form J, die-cast aluminum, M 16x1.5; IP65, ambient temperature -40 ... +100°C  
Caution: reduced ambient temperature range when using transmitters,  
Data Sheet 70.7030

**Process connection**

Metal flange Ø 6mm, Ø 8mm, galvanized steel  
Thermowell screw-connection Ø 6mm, Ø 8mm, stainless steel  
Thermowell screw-connection, spring loaded Ø 8mm, spring deflection 12mm, stainless steel

**Thermowell**

Stainless steel 1.4571, Ø 6mm and Ø 8mm

**Measuring insert**

Pt 100 temperature sensor according to DIN EN 60 751, Class B, two-wire circuit

**Transmitter**

Analog transmitter, 4 ... 20mA output, Data sheet 70.7030

**Accessories**

Thermowell, Data Sheet 90.2440 and 90.9721

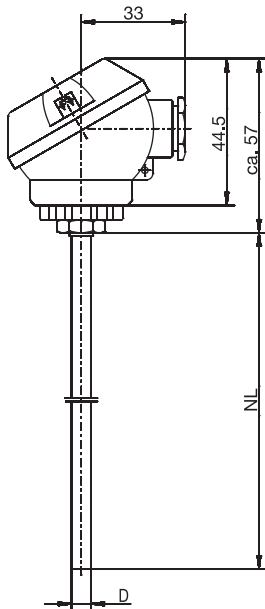
**JUMO GmbH & Co. KG**  
 Delivery address: Mackenrodtstraße 14,  
 36039 Fulda, Germany  
 Postal address: 36035 Fulda, Germany  
 Phone: +49 661 6003-0  
 Fax: +49 661 6003-607  
 e-mail: mail@jumo.net  
 Internet: www.jumo.net

**JUMO Instrument Co. Ltd.**  
 JUMO House  
 Temple Bank, Riverway  
 Harlow, Essex CM 20 2TT, UK  
 Phone: +44 1279 635533  
 Fax: +44 1279 635262  
 e-mail: sales@jumo.co.uk  
 Internet: www.jumo.co.uk

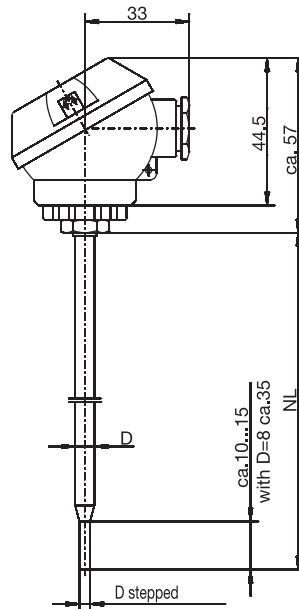
**JUMO Process Control, Inc.**  
 8 Technology Boulevard  
 Canastota, NY 13032, USA  
 Phone: 315-697-JUMO  
 1-800-554-JUMO  
 Fax: 315-697-5867  
 e-mail: info@jumo.us  
 Internet: www.jumo.us



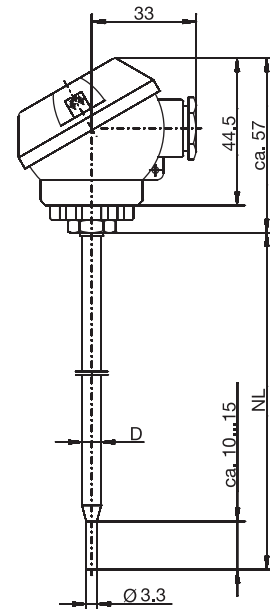
## Dimensions



Type 902130/10



Type 902130/11



Type 902130/31

**JUMO GmbH & Co. KG**  
 Delivery address: Mackenrodtstraße 14,  
 36039 Fulda, Germany  
 Postal address: 36035 Fulda, Germany  
 Phone: +49 661 6003-0  
 Fax: +49 661 6003-607  
 e-mail: mail@jumo.net  
 Internet: www.jumo.net

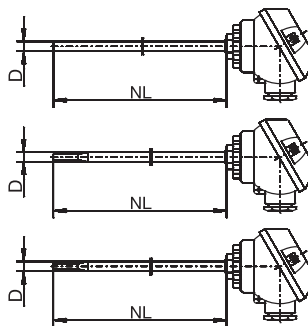
**JUMO Instrument Co. Ltd.**  
 JUMO House  
 Temple Bank, Riverway  
 Harlow, Essex CM 20 2TT, UK  
 Phone: +44 1279 635533  
 Fax: +44 1279 635262  
 e-mail: sales@jumo.co.uk  
 Internet: www.jumo.co.uk

**JUMO Process Control, Inc.**  
 8 Technology Boulevard  
 Canastota, NY 13032, USA  
 Phone: 315-697-JUMO  
 1-800-554-JUMO  
 Fax: 315-697-5867  
 e-mail: info@jumo.us  
 Internet: www.jumo.us



**Order details: Push-in RTD temperature probe with terminal head form J**

<b>(1) Basic type</b>	
902130/10	Push-in RTD temperature probes with continuous thermowell
902130/11	Push-in RTD temperature probes with stepped thermowell (with Ø 6 to 3.8mm; with Ø 8 to 6mm)
902130/31	Push-in RTD temperature probes with stepped thermowell for air measurement
<b>(2) Operating temperature in °C</b>	
x x	647 -20 ... +150°C (only in conjunction with tolerance class B)
x x x	380 -50 ... +200°C
x x	386 -50 ... +260°C
x x	402 -50 ... +400°C
<b>(3) Measuring insert</b>	
x x	1001 1 x Pt 100 in 3-wire-circuit
x x x	1003 1 x Pt 100 in 2-wire circuit
x x x	1011 1 x Pt 100 in 4-wire circuit
x x x	2003 2 x Pt 100 in 2-wire circuit
<b>(4) Tolerance class according to DIN EN 60 751</b>	
x x x	1 Class B (standard)
x x x	2 Class A
<b>(5) Protection tube diameter D in mm</b>	
x x x	6 Ø 6mm
x x	8 Ø 8mm
<b>(6) Nominal length NL in mm (50 ≤ NL ≤ 1000)</b>	
x x x	50 50mm
x x x	100 100mm
x x x	150 150mm
x x x	250 250mm
x	290 290mm
x x x	... Specification in plain text (50mm steps)
<b>(7) Process connection</b>	
x x x	000 without process connection
x	245 Thermowell screw connection, spring-loaded G 1/2, spring deflection 12mm (for Ø 8mm only, Tmax. 180°C)
x x x	252 Thermowell screw connection G 1/4 (for a 6mm diameter only)
x x x	254 Thermowell screw connection G 1/2 (for a 6mm or Ø 8mm diameter only)
x x x	662 Metal flange Ø 6mm
x	667 Metal flange Ø 8mm
<b>(8) Extra codes</b>	
x x x	000 Without
x x x	330 1 x analog transmitter, 4 ... 20mA <sup>1</sup> output, Data sheet 70.7030



Order code	(1)	(2)	(3)	(4)	(5)	(6)	(7)	(8)
Order example	902130/10	- 402	- 1001	- 1	- 6	- 100	- 000	/ 000

**Stock versions**

(1)	(2)	(3)	(4)	(5)	(6)	(7)	(8)	Part No.
902130/10	- 402	- 1003	- 1	- 6	- 50	- 000	/	000
902130/10	- 402	- 1003	- 1	- 6	- 150	- 000	/	000
902130/10	- 402	- 1003	- 1	- 6	- 250	- 000	/	000
902130/10	- 647	- 1003	- 1	- 6	- 100	- 000	/	000
902130/10	- 647	- 1003	- 1	- 6	- 150	- 000	/	000
902130/10	- 647	- 1003	- 1	- 6	- 250	- 000	/	000
902130/31	- 380	- 1003	- 1	- 6	- 290	- 000	/	000

<sup>1</sup> Specify measuring range in plain text.